

# 013818 CB-VS Remote cable(15pin)

## 1. Features

CB-VS Remote cable(15pin) can be used to synchronize and control an external equipment such as SEC2020 Spectrometer system or RRDE-3A Rotating Ring Disk Electrode Apparatus using the 15-pin Cell Control terminal on the back of Model 3325 Bi-Potentiostat or ALS Model 1200 series.



Figure 1-1 CB-VS Remote cable(15pin)

## 2. Specifications



Figure 2-1 Cell Control terminal of Model 3325

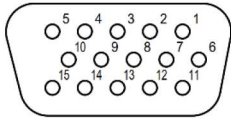


Figure 2-2 Terminal pin number schematic

Table 2-1. Pin number and corresponding function

Wire Labeling	Pin#	Function
R	4	RDE*
G	5	Ground
S	12	Stir
P	13	Purge
K	14	Spectrometer Control / Knock*

\*Some ALS 1200 series models do not support the RDE and Spectrometer Control functions.

## 3. Application 1

### Trigger control of SEC2020 Spectrometer

- Figure 3-1 is an example of trigger connection for Model 3325 Bi-Potentiostat and SEC2020 Spectrometer system.
- Firmly plug the CB-VS Remote cable(15pin) into the 15-pin Cell Control terminal of Model 3325 and secure it with thumbscrews.
- Check the pin labels on the wire and connect K(Pin#14, Spectrometer Control), G(Pin#5,Ground) with the trigger cable Trigger In(brown), trigger cable Ground(black) attached to SEC2020 respectively. Please refer to Figure 3-1 and Table 3-1.



Figure 3-1 Trigger connection of Model 3325 and SEC2020

Table 3-1. Pin number and corresponding trigger cables

Model 3325	Function	SEC2020 Trigger cable
K(Pin#14)	Spectrometer Control	Trigger In (brown)
G(Pin#5)	Ground	Ground (black)

## 4. Application 2

### Remote control of RRDE-3A Rotating Ring Disk Electrode Apparatus

- Figure 4-1 is an example of remote connection for Model 3325 Bi-Potentiostat and RRDE-3A Rotating Ring Disk Electrode Apparatus.
  - Firmly plug the CB-VS Remote cable(15pin) into the 15-pin Cell Control terminal of Model 3325 and secure it with thumbscrews.
  - Check the pin labels on the wire. For **Rotating speed control**, connect R(Pin#4,RDE), G(Pin#5,Ground) with the remote terminal IN, GND(next to IN) of RRDE-3A respectively. If you also want to **control the gas purge**, connect P(Pin#13,Purge) to PURGE and connect GND(next to IN) and GND(next to the right of PURGE) with a jumper.
- Please refer to Figure 4-2 and Table 4-1.

Table 4-1. Pin number and corresponding remote terminal

Model 3325	Function	RRDE-3A Remote terminal
R(Pin#4)	RDE	IN
G(Pin#5)	Ground	GND (next to IN)
P(Pin#13)	Purge	PURGE
G(Pin#5) Jumper*	Ground	GND (next to Purge)

\*Jumpers need to be prepared separately.

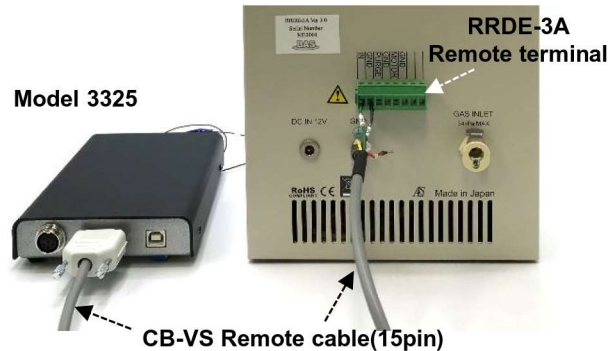


Figure 4-1 Remote connection of Model 3325 and RRDE-3A

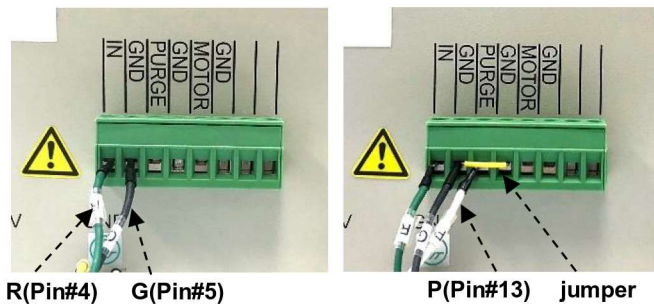


Figure 4-2 Connect to remote terminal: RDE (left), RDE&PURGE (right)

### Sold separately

013817 Model 3325 Bi-Potentiostat  
 013609 SEC2020 Spectrometer system  
 013725 RRDE-3A Rotating Ring Disk Electrode Apparatus Ver.3.0  
 Please refer to the instrument manual for details.  
<https://www.als-japan.com/support-instrument-manual.html>

Manufactured by: ALS Co., Ltd  
<https://www.als-japan.com>

Exclusive distributor: BAS Inc.  
 email: sales@als-japan.com